

SERIES : PG-A 600

SNUBBER

Pressure gauge snubbers are intended to suppress the effect of pressure pulses and pressure peaks. The snubber is provided with an adjustable needle valve that enables to restrict the flow as operating conditions may demand even if the snubber will considerably increase the services life of pressure gauges at arduous conditions such found at reciprocating pumps and compressors, hydraulic presses or fluid power systems and additional improvement in the reading accuracy of the fitted gauge.

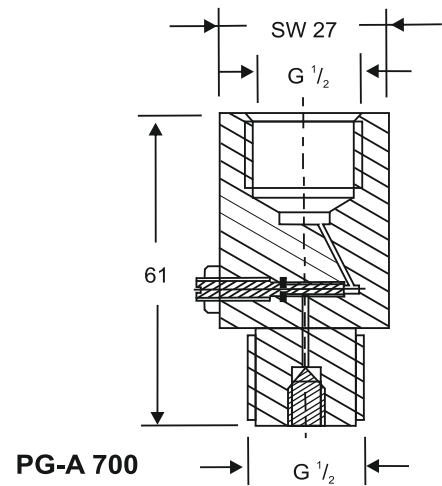
GAUGE SAVER

Overpressure protector is intended to protect the pressure gauge against the effect of pressure that exceeded the maximum pressure rating of the pressure gauge. Next to providing protection at faulty process conditions, the over pressure also may be used to isolate low pressure indicator at a system that requires to alternatively read very low And rather high pressure .

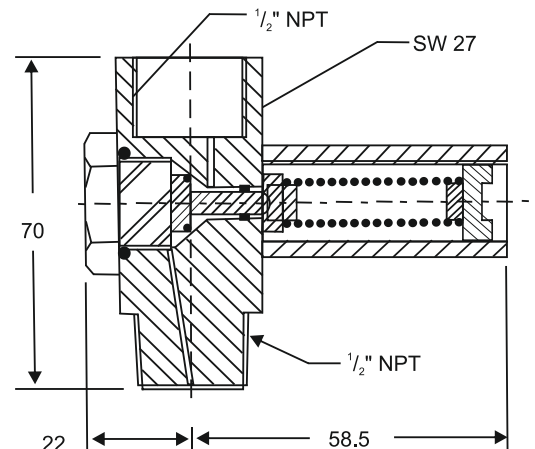
SYPHON

Pressure gauge syphons are intended to protect the pressure gauge from the effect of hot pressure media such as steam and also to reduce the effect of rapid pressure surges, condensate of the pressure medium that is collected inside the coiled portion of the siphon prevents direct contact. When first installed the siphon should be filled with water or any other suitable sererating liquid.

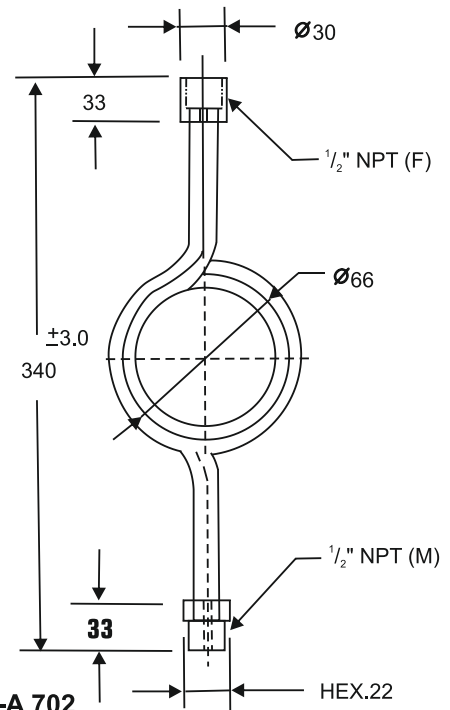
Other accessories like as a manifold, neddle valve, gauge cock, cooling tower assembly, adopter spacebar ring, brackets, ball valve, flow check valve, din valve(forged) etc.



PG-A 700



PG-A 701



PG-A 702